

Radiant Source Model Report

Source Model Information

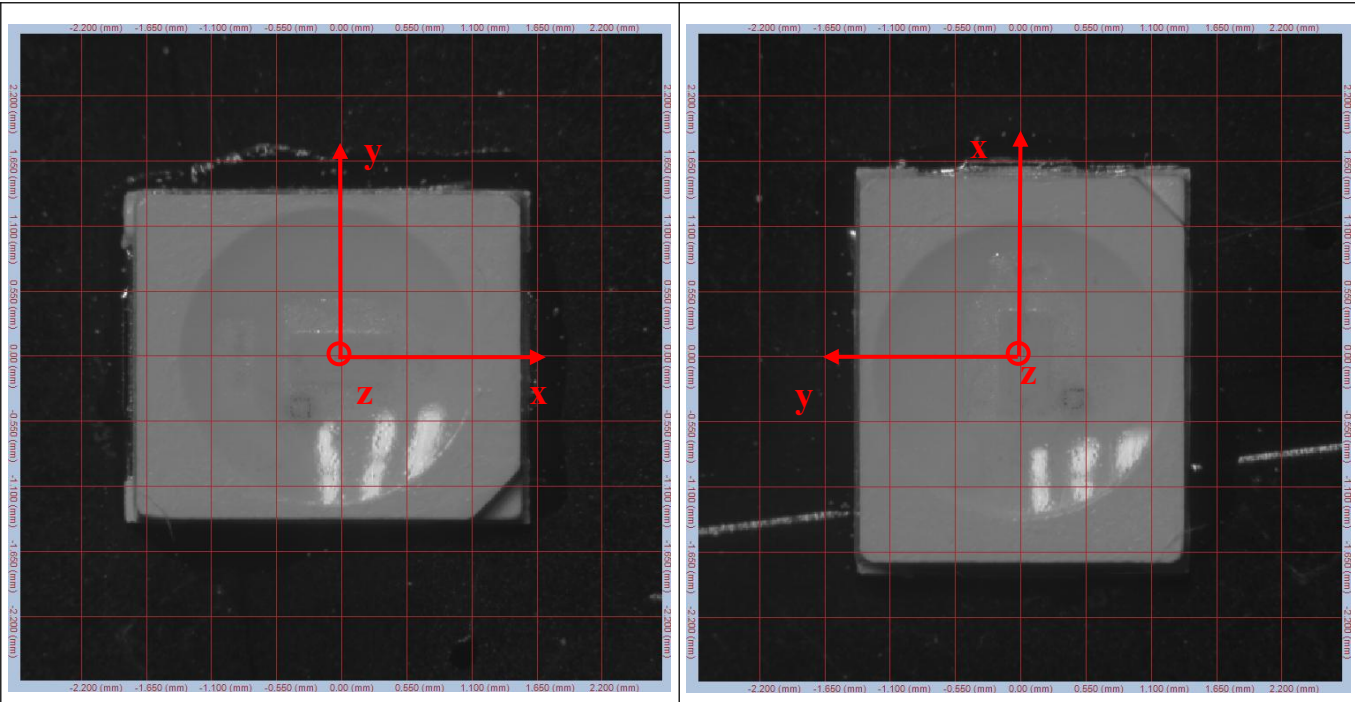
Source Description Product ID: Source Type: LED Model Number: Serial Number:RF-A2T29-W6SE-A8 Manufacturer:REFOUD Source Description Notes:	Scan Environment measurement Type: Photometric SIG Orientation: SIG400/ Vertical Applied (volts): 3.50V Current Applied (amps): 150mA Watts Measured: 0.53W Cx: 0.3246 Cy: 0.3409 ϕ :72.97 lm Scan Results Date Scanned: 28-Dec-2024 Number of Measurements: 2736 Azimuth Range: 0 to 90, Step 5 Polar Range: 0 to 360, Step 5 Rated Lumens/Watts:137 lm/W
---	---

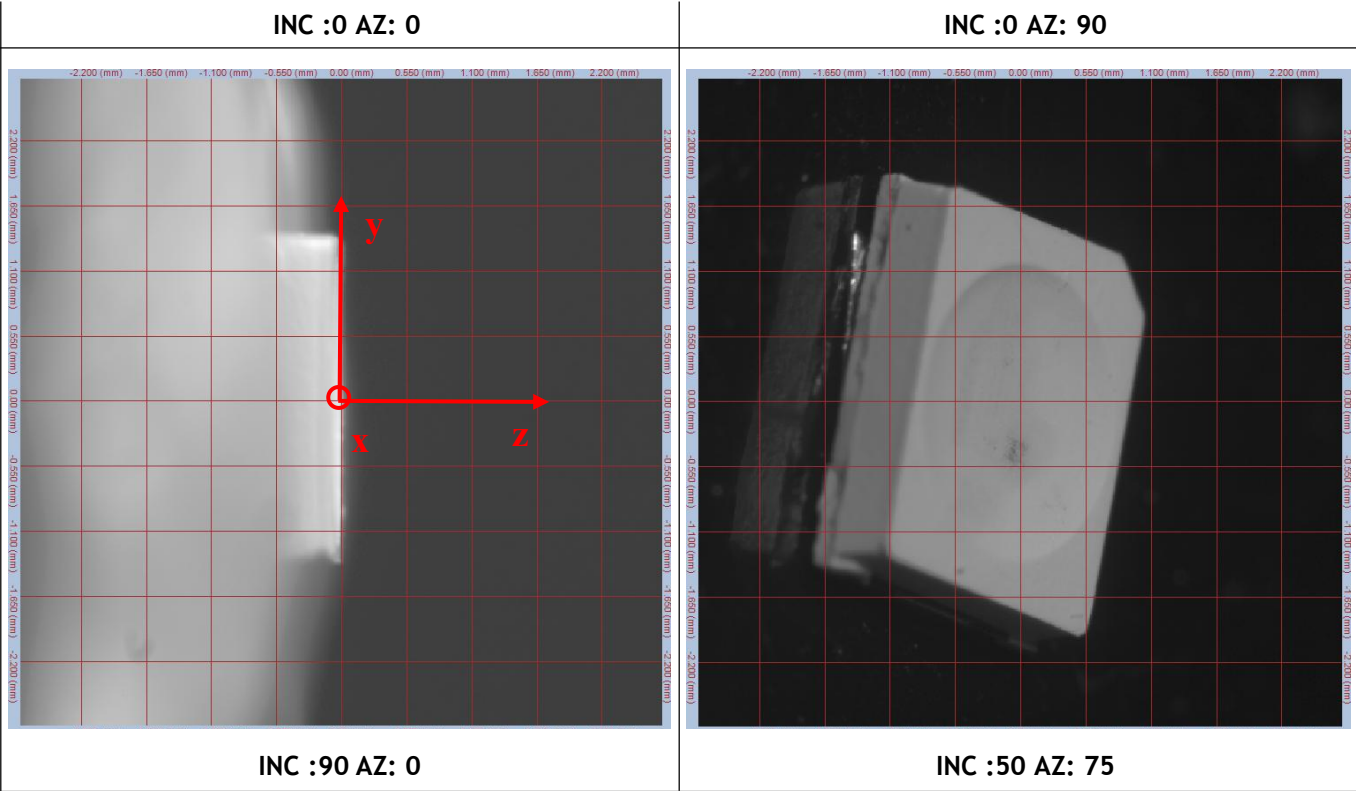
Alignment Images

Test Origin Coordinate Chart

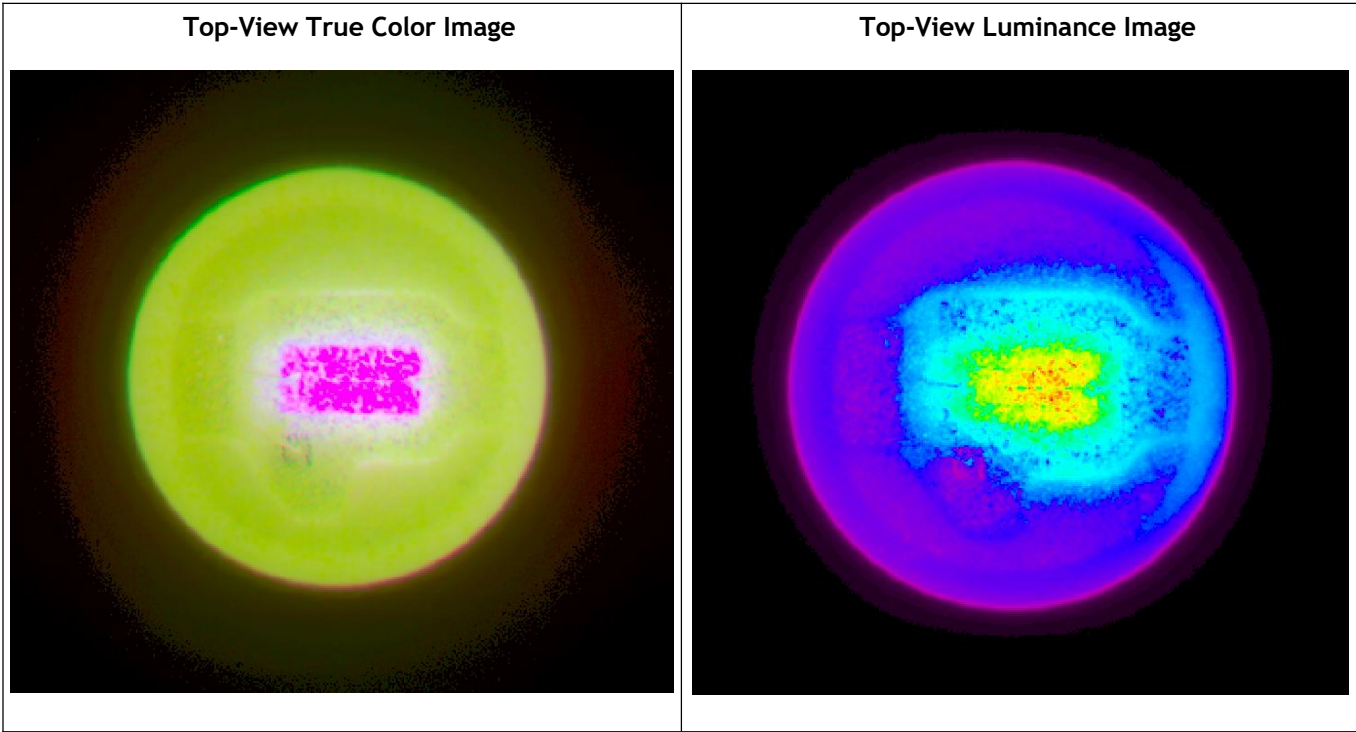
(The deviation of the position of the luminescent center relative to the center of the bracket.

X=0.1125mm, y=0.00 mm, z= 0.00mm)

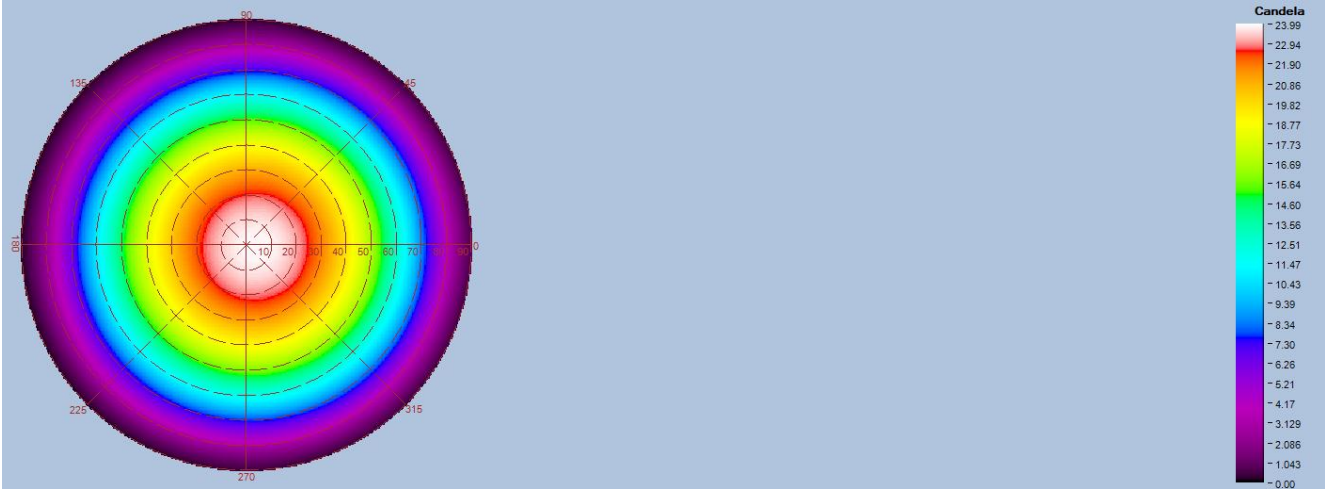




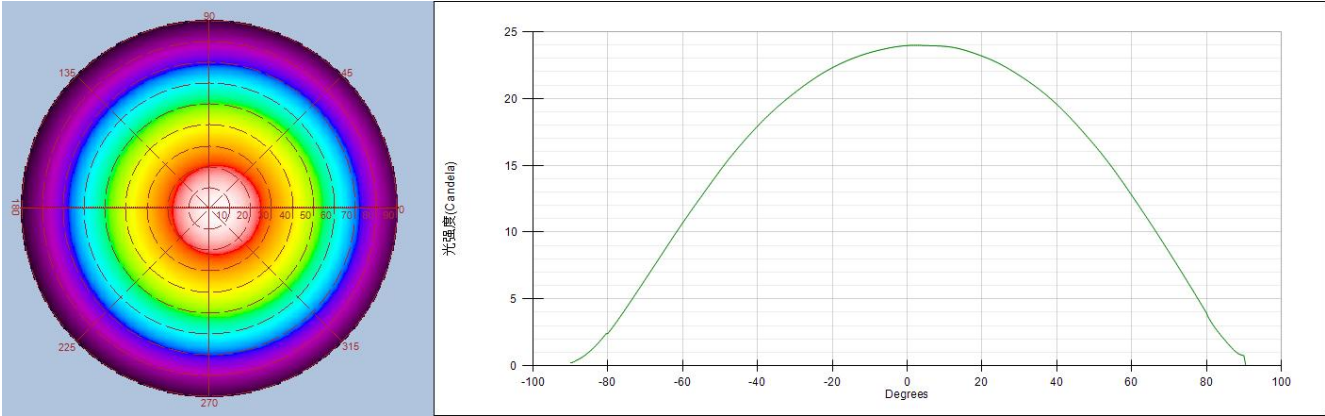
Summary of Test Results



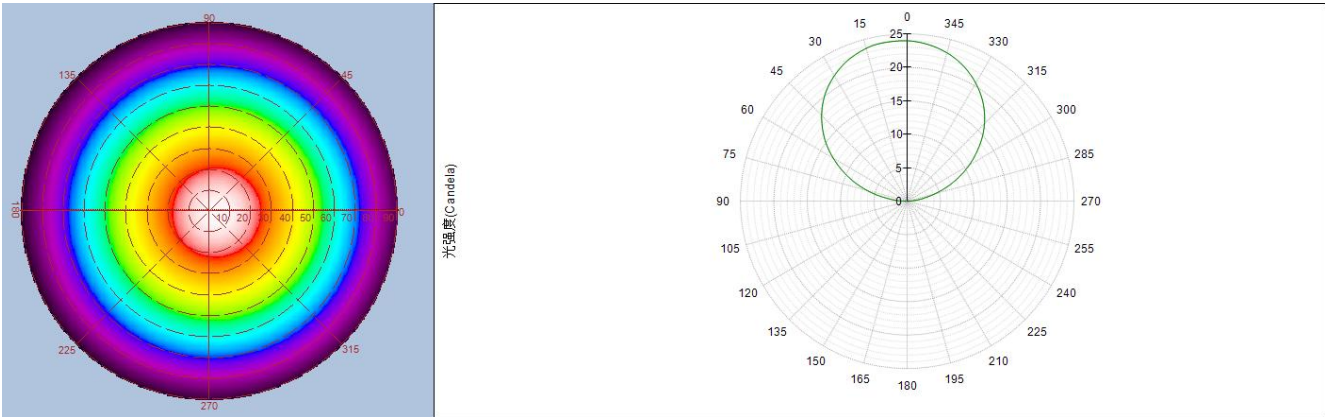
Intensity(traced to infinity)



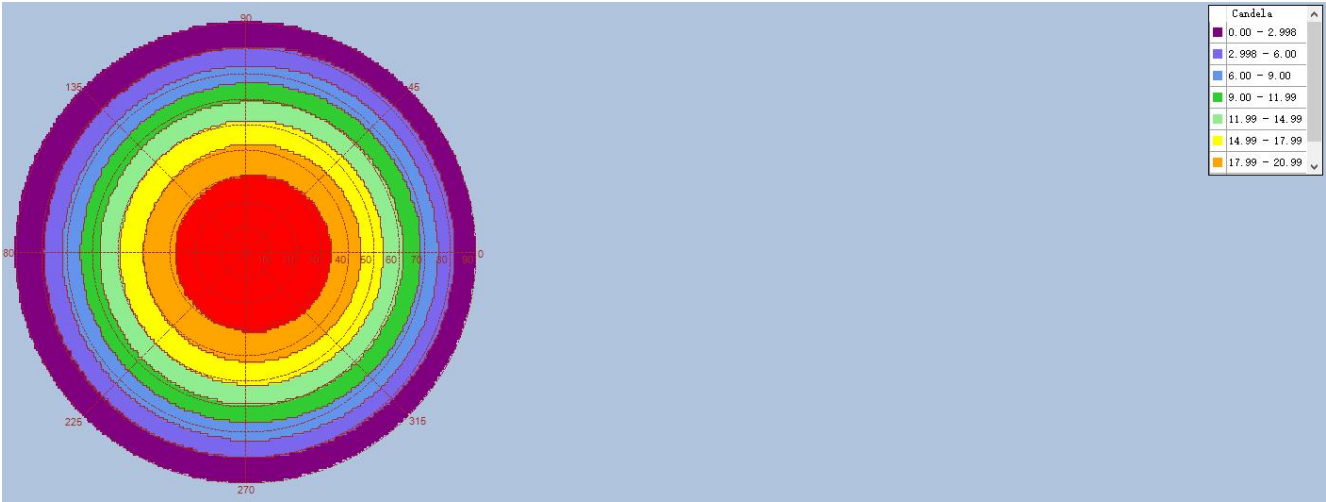
Intensity(traced to infinity) Cross Section Luminous Intensity(Candela)



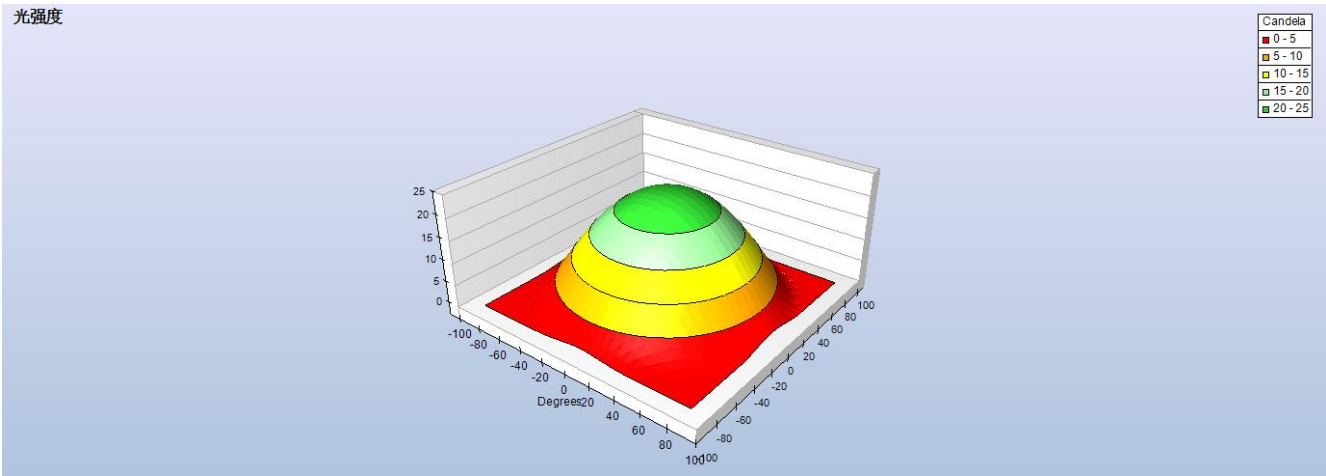
Intensity(traced to infinity) Cross Section Luminous Intensity(Candela)



Intensity(traced to infinity) Iso-Plot



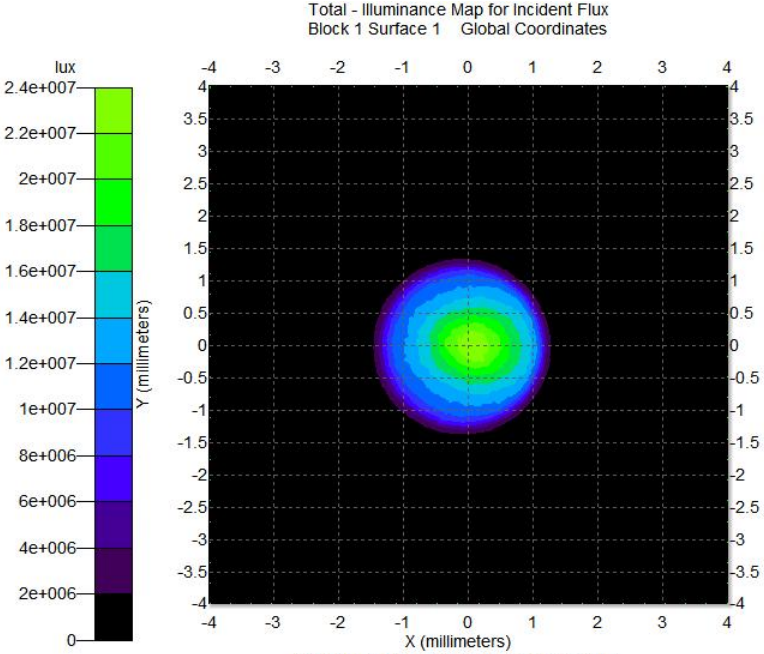
Intensity(traced to infinity) 3D Iso-Plot



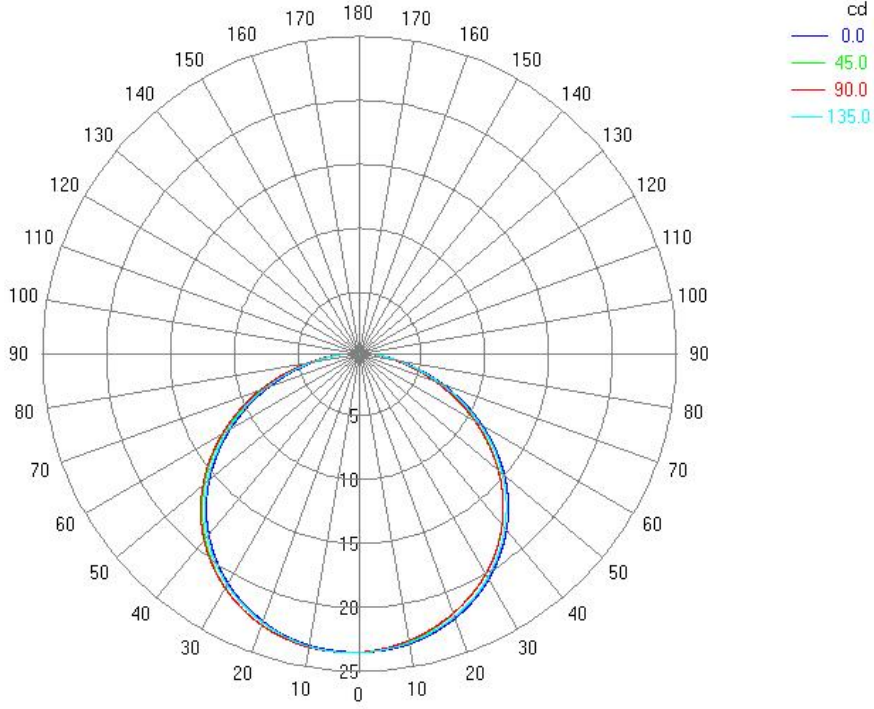
Illuminance Distribution Diagram

Data Processing Software	Prosource10.2.7	Simulation Software	TracePro 2020
Number of Rays	1000,000	Receiver	8mm*8mm Distance :0.1mm
Smoothness of Illuminance Distribution Curve	50	Smoothness of Photometric Curve	20

Illuminance Distribution Diagram



Min:0, Max:2.352e+007, Ave:1.1354e+006
Total Flux:72.664 lm, Flux/Emitted Flux:0.99827, 4991445 Incident Rays
Polar Candela Distribution Plot
Using Missed Rays



-----END-----

